

Figure 1: Display stacking order (please note that it will be different if you ordered the 4 hitch display).

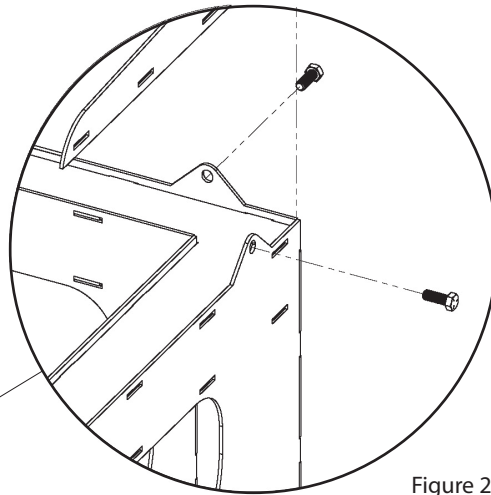
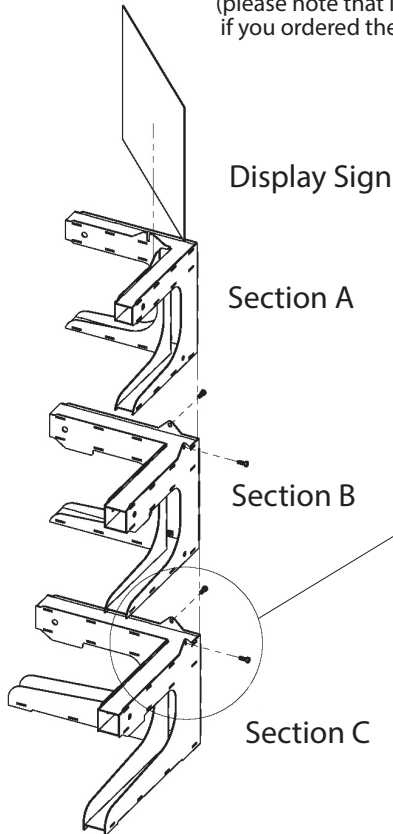


Figure 2: Install 3/8" bolts through display mounting tabs and tighten with 9/16" wrench.



Literature holder location on 2 hitch display



Literature holder location on 4 & 6 hitch display

## 6 Hitch Display

- Stack the display sections from bottom to top - C - B - A
- Using the provided 3/8" bolts, hand thread through the display mounting tabs and tighten with a 9/16" wrench.
- Slide display sign through the slots on section A and attach literature holder by peeling 3M tap and attaching it to the display sign in the blank-empty area.

- Slide hitches into the display and secure with 5/8" pins.

## 4 Hitch Display

- Stack the display sections from bottom to top - C - A
- Using the provided 3/8" bolts, hand thread through the display mounting tabs and tighten with a 9/16" wrench.

- Slide display sign through the slots on section A and attach literature holder by peeling 3M tap and attaching it to the display sign in the blank-empty area.

## 2 Hitch Display

- Slide display sign through the slots on section A and attach literature holder by peeling 3M tap and attaching it to the display sign in the blank-empty area.
- Slide hitches into the display and secure with 5/8" pins.