

DISPLAY LEGS

- Insert each leg into base of the bumper hitch display (Figure 1).
- Take provided bolts and screw down legs (Figure 2).
- Remove rubber cap at the end of legs and adjust height of feet (Figure 3).

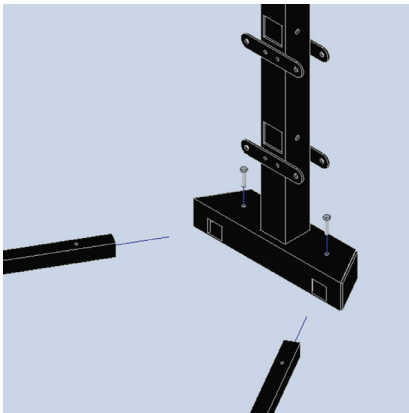


Figure 1: Insert legs in display base.

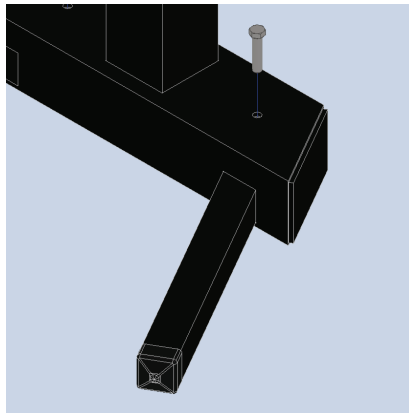


Figure 2: Screw legs onto base using provided bolts

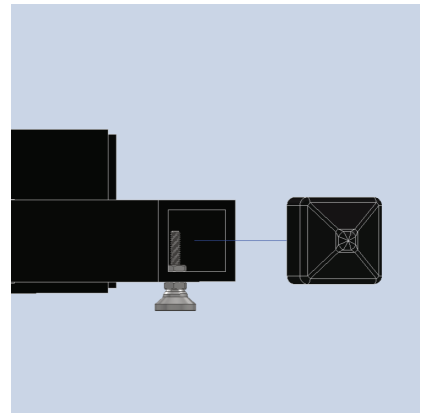


Figure 3: Remove rubber caps on legs, adjust height

HITCH RECEIVERS

- Attach receivers into the tower of the display (Figure 4).
- Line up holes on receivers and tower, insert provided hitch pins all the way through (Figure 5).
- Secure pins with provided hair pin clips (Figure 6).

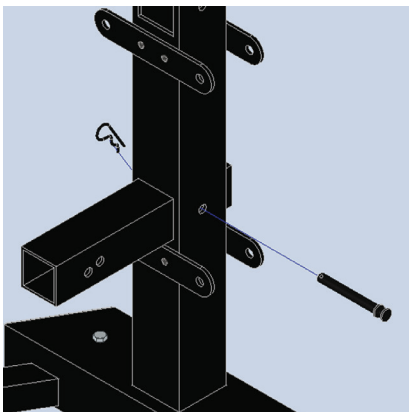


Figure 4: Insert hitch receiver in display tower.

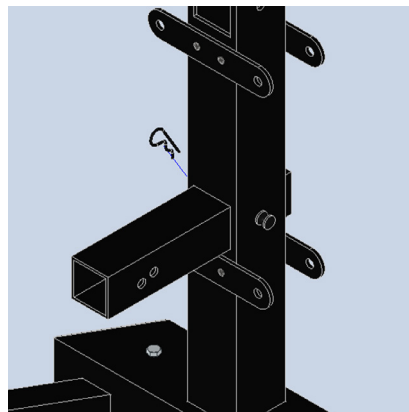


Figure 5: Insert pin through receiver and tower.



Figure 6: Secure pin with hair pin clip.

SIGN & LITERATURE

- Take Shocker Hitch branded display sign and line up with slots on top of tower (Figure 7).
- Slide display sign into slots on top of tower (Figure 8).
- Take brochure holder, remove 3M backing and attach below “Learn More!” on sign (Figure 9).

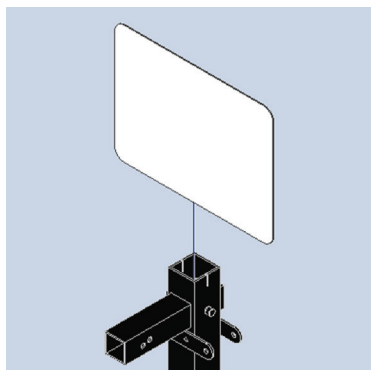


Figure 7: Line sign up with slots on top of tower.

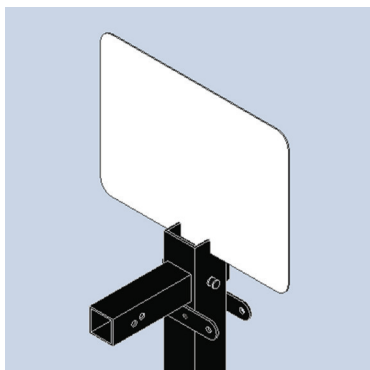


Figure 8: Slide sign into slots on top of tower.



Figure 9: Attach brochure holder under “Learn More!”

INSERTING AIR HITCHES

- Insert Shocker Air Bumper Hitch(es) into the receivers (Figure 10).
- Line up with one of the adjustment holes on display receivers (Figure 11).
- Insert pin and secure with hair pin clip(s) (Figure 12).

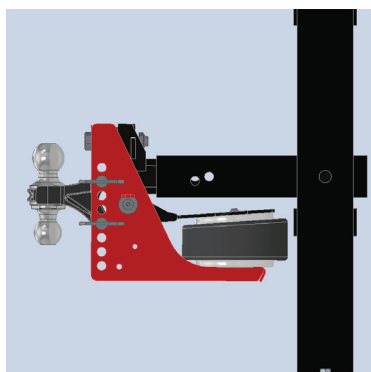


Figure 10: Insert air hitch into receiver.

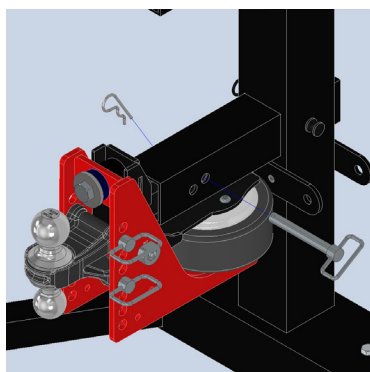


Figure 11: Line up with one of the adjustment holes.

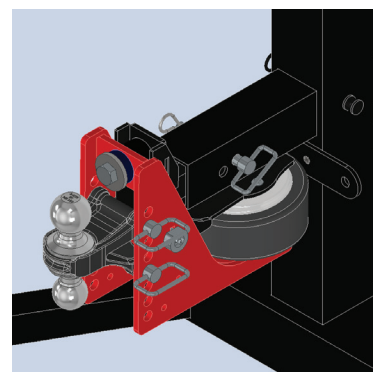


Figure 12: Secure pin with hair pin clip.

ATTACHING BALL MOUNTS

- Attach Shocker Hitch ball mount using pin(s) and secure with hair clip pin(s) (Figure 13 & 14).

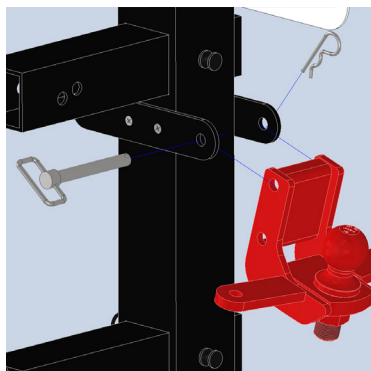


Figure 13: Using pin, attach Shocker Hitch ball mount.

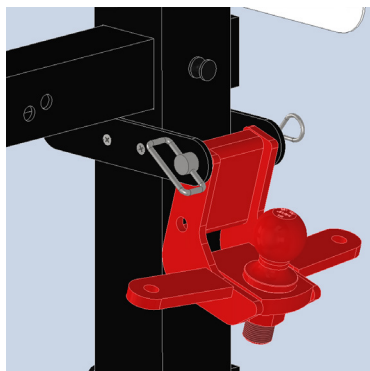


Figure 14: Secure pin with hair pin clip.